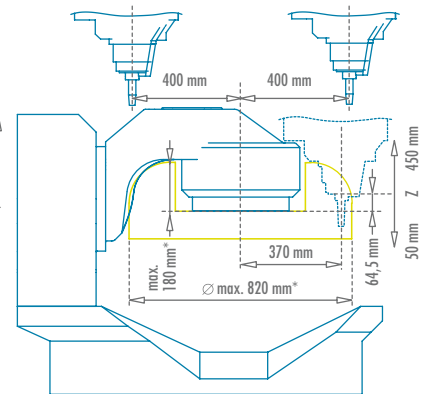
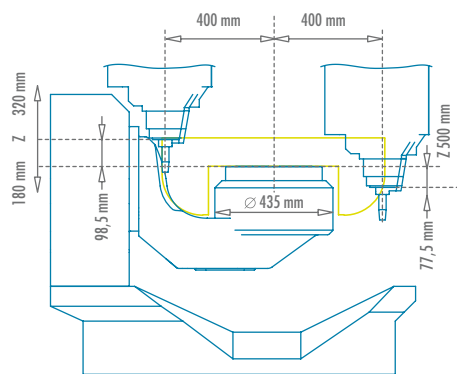


\* Dependent on milling spindle



\* Detailed information on request

Stroke position  
RXU 1001 DBH

Subject to change  
Revision 21/01